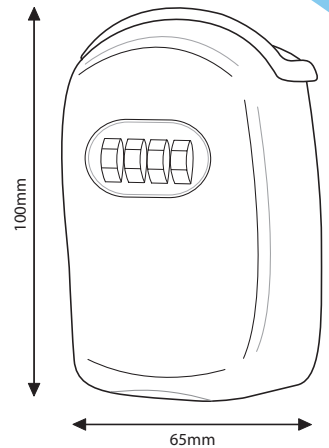


Phoenix KS1 Key Store

The Phoenix KS1 gives you control of door keys, padlock keys, car keys etc in an attractive secure location, that can be easily mounted to a wall.

- Key Store allows you to give access to selected people or take it away by changing the combination.
- Take control of your keys.
- Ideal for storing house keys or car keys.
- Simple to change 4 digit combination.
- Magnetic hook for easy handling of keys.
- Fixable to walls (fixing supplied).
- 2 piece cast alloy body.



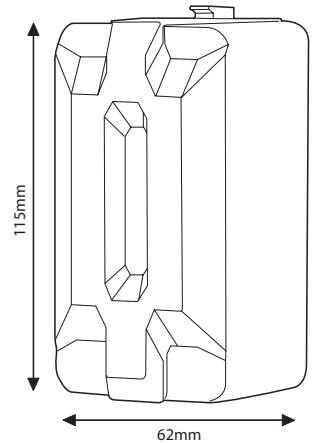
- **KS1 Dimensions stated as:**
- A Height 100mm
 - B Width 65mm
 - C Weight 0.4kg



Phoenix KS2 Key Store

The Phoenix KS2 gives you control of door keys, padlock keys, car keys etc in an attractive secure location, that can be easily mounted to a wall.

- Key store allows you to give access to selected people or take it away by changing the combination.
- Fixable to walls (fixings included).
- Simple to change combination.
- 2 piece cast alloy body.
- Take control of your keys.
- Ideal for storing house keys, car keys, or door access cards.
- Easy to use changeable push button lock.
- Weather proof rubber cover.
- Key storage for doors, cupboards, garages, sheds etc.



- **KS2 Dimensions stated as:**
- A Height 115mm
- B Width 62mm
- C Weight 1kg

All weights and sizes are approximate.

Phoenix policy is one of constant improvement. We therefore reserve the right to alter any part of the specification achieved in this publication without incurring any obligation.



Waterproof cover included